

Commercial Vertical Cutter-Mixer



R8



R8U includes 3.5 Qt. Stainless Steel bowl with knife assembly for small batches in addition to the 8 Qt. Stainless Steel Bowl for larger batches.

- R8 model has 8 Qt. Stainless Steel Bowl with adjustable 2-blade knife assembly. The R8U Model includes 3.5 Qt. Stainless Steel bowl with knife assembly for small batches in addition to the 8 Qt. Stainless Steel Bowl.
- Powerful 3-phase, 2-speed motor. 2 HP on low speed and 3 HP on high speed.
- See-thru lid has vents for safety, air tight seal and funnel.
- Adjustable blade to accommodate variety of foods and desired consistency.
- 2 safety switches for operator protection..
- Pulse Control and Power Indicator Lights
- 1 year parts and labor warranty including on-site service.

Stainless Steel Bowl designed for vertical cutting and mixing: puree, mix, chop, and blend.



Robot Coupe U.S.A., Inc.
P.O. Box 16625
Jackson, MS 39236-6625
1-800-824-1646 • (601) 898-8411
FAX: (601) 898-9134
www.robotcoupeusa.com • e-mail: info@robotcoupeusa.

Specifications

STANDARD MODEL: R8 includes motor base unit with 8 Qt. Stainless Steel Cutter Bowl with adjustable 2-blade knife assembly. The R8U Model includes 3.5 Qt. Stainless Steel bowl with knife assembly for small batches in addition to the 8 Qt. Stainless Steel Bowl.

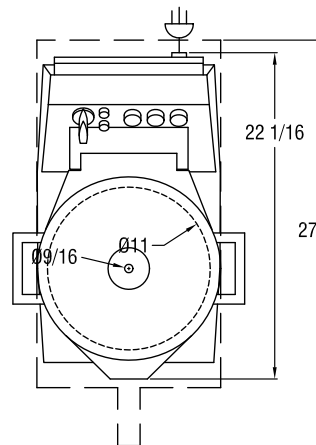
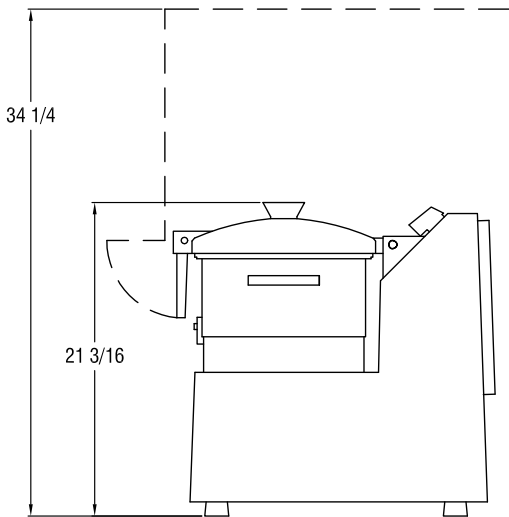
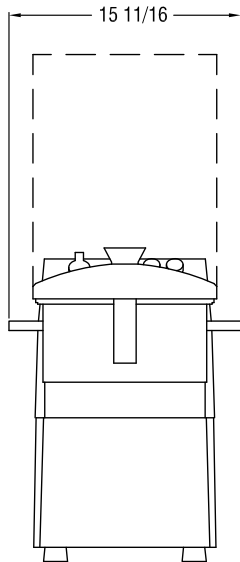
ELECTRICAL REQUIREMENTS: 208-240V, 60Hz, 8.2/8.3 Amps, three phase. Contact your local electrician for local code requirements.

SWITCHING: Control panel with push-type "Pulse" & "on and off" buttons.

MOTOR: 3 HP, 3 phase, 2 speed 1725/3450 RPM.

WEIGHT: R8 - 110 lbs. approximate shipping weight.
R8U - 120 lbs. approximate shipping weight.

STANDARDS: ETL electrical & sanitation, cETL (Canada)



Robot Coupe U.S.A., Inc.
P.O. Box 16625
Jackson, MS 39236-6625
1-800-824-1646
(601) 898-8411
FAX: (601) 898-9134
www.robotcoupeusa.com
e-mail: info@robotcoupeusa.com

Distributed by: